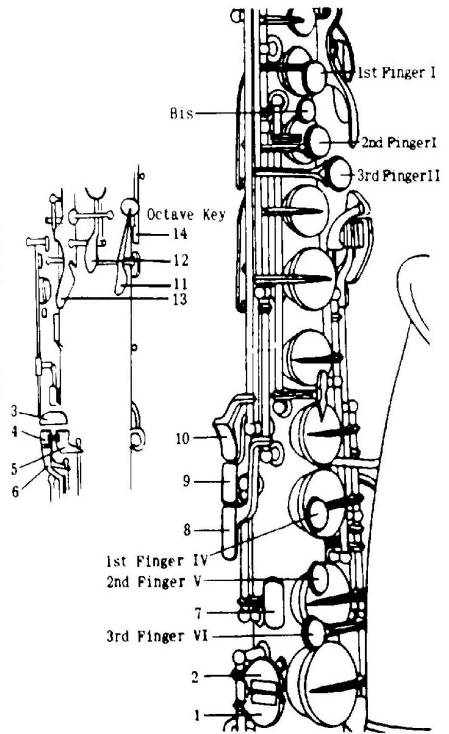
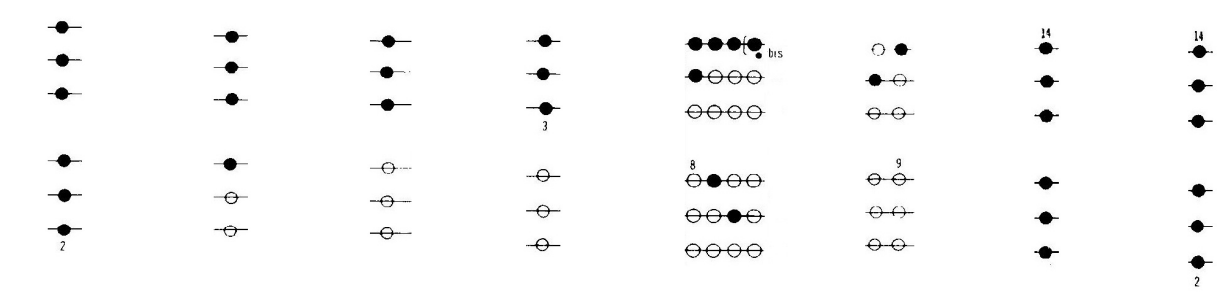
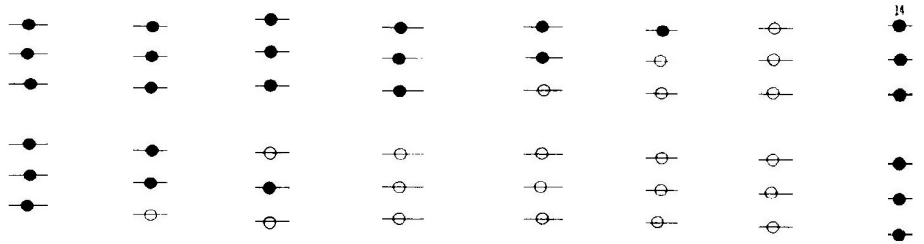
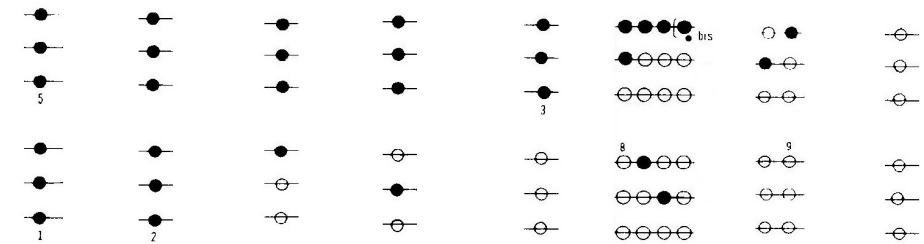
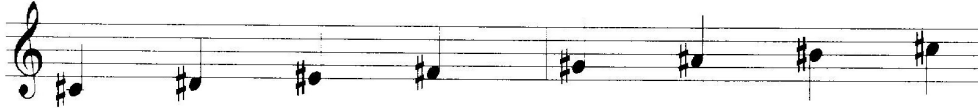
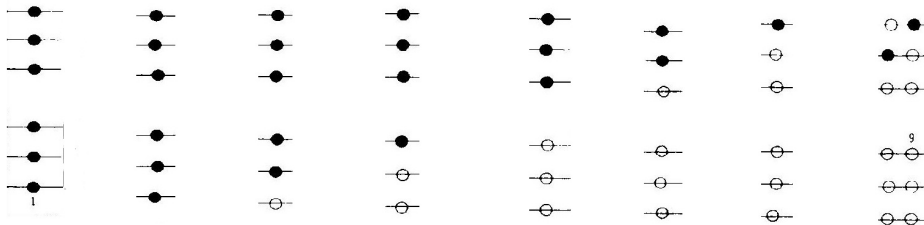


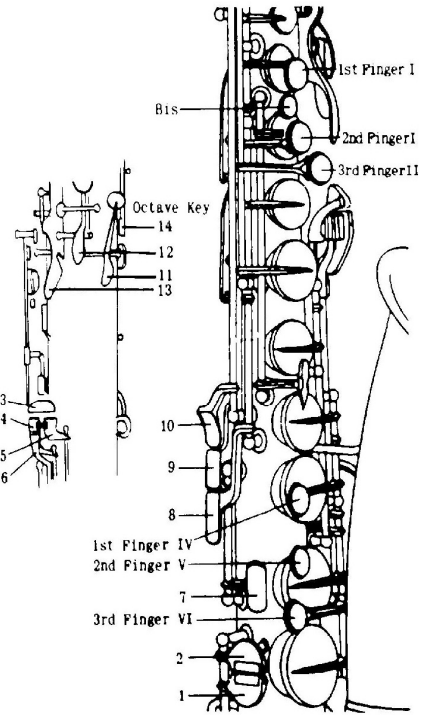
Saxophone Major Scales



Saxophone Major Scales

Musical staff for the first major scale (C major). The staff shows the notes C, D, E, F, G, A, B, C. Below the staff are three rows of fingering diagrams for the right hand (treble clef) and three rows for the left hand (bass clef). Fingerings are indicated by numbers 1-3 and 14. A '3' is written below the first fingering diagram in the second row.

Musical staff for the second major scale (D major). The staff shows the notes D, E, F#, G, A, B, C, D. Below the staff are three rows of fingering diagrams for the right hand and three rows for the left hand. Fingerings are indicated by numbers 1-3, 8, 9, and 14. A '2' is written below the first fingering diagram in the second row.



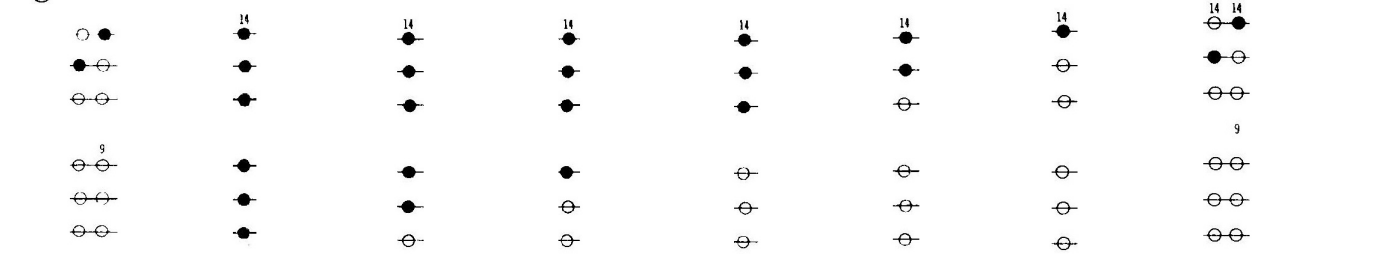
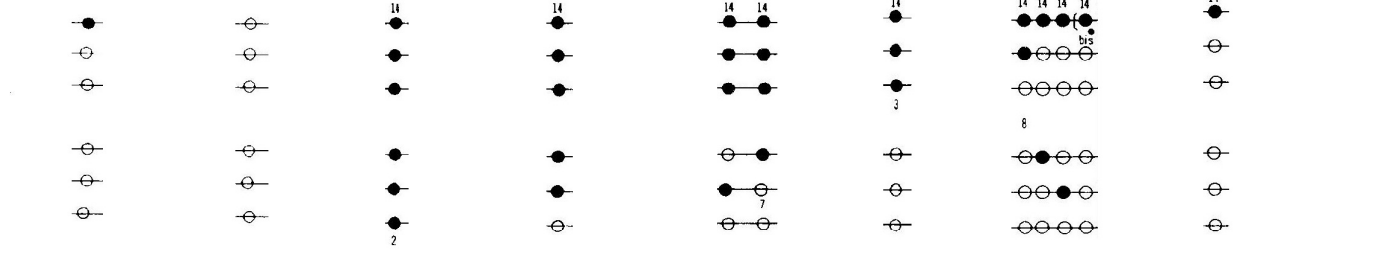
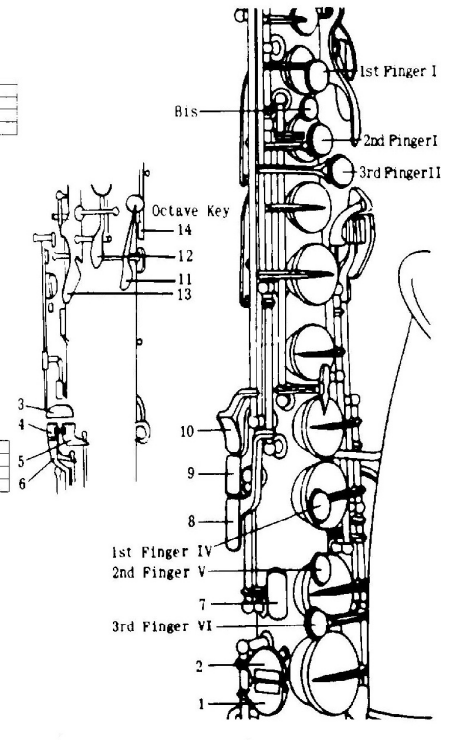
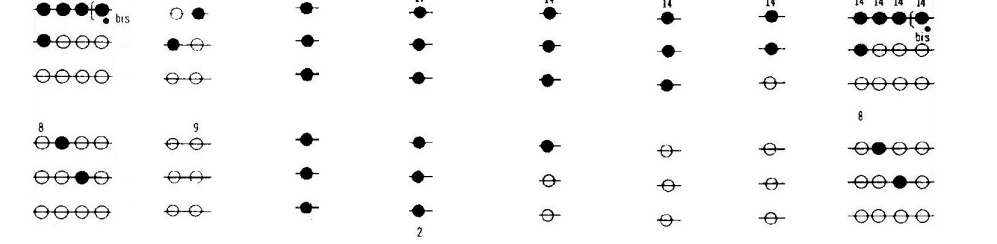
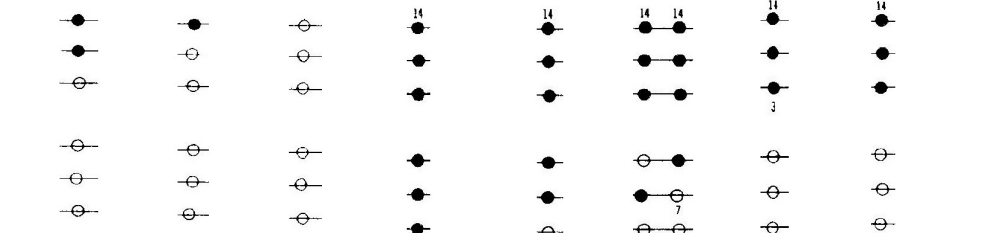
Musical staff for the third major scale (E major). The staff shows the notes E, F#, G, A, B, C, D, E. This staff does not have fingering diagrams.

Musical staff for the fourth major scale (F major). The staff shows the notes F, G, A, Bb, C, D, E, F. Below the staff are three rows of fingering diagrams for the right hand and three rows for the left hand. Fingerings are indicated by numbers 1-3, 8, 9, 14, and 7. A '2' is written below the first fingering diagram in the second row.

Musical staff for the fifth major scale (G major). The staff shows the notes G, A, B, C, D, E, F#, G. Below the staff are three rows of fingering diagrams for the right hand and three rows for the left hand. Fingerings are indicated by numbers 14, 9, and 7.

Musical staff for the sixth major scale (A major). The staff shows the notes A, B, C, D, E, F#, G, A. Below the staff are three rows of fingering diagrams for the right hand and three rows for the left hand. Fingerings are indicated by numbers 14, 9, 7, and 3. A '2' is written below the first fingering diagram in the second row.

Saxophone Major Scales

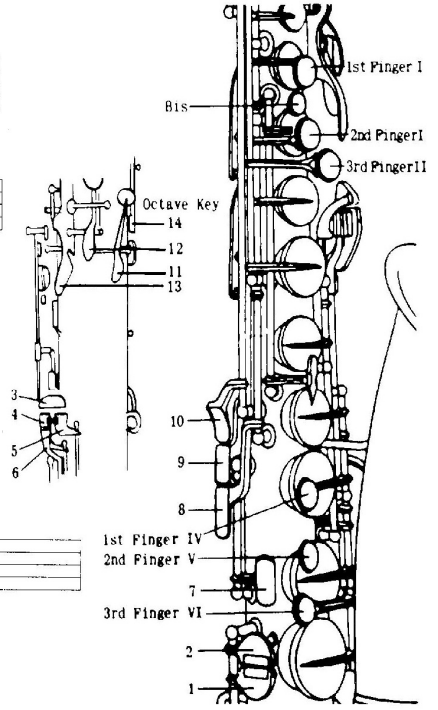


Saxophone Major Scales

Musical staff showing the first line of the major scale in G major (one sharp).

Musical staff showing the second line of the major scale in G major (one sharp).

Fingering diagram for the first two lines of the major scale in G major (one sharp). Fingerings are indicated by numbers 1-4 on the notes.



Musical staff showing the third line of the major scale in G major (one sharp).

Fingering diagram for the third line of the major scale in G major (one sharp). Fingerings are indicated by numbers 1-4 on the notes.

Musical staff showing the fourth line of the major scale in G major (one sharp).

Fingering diagram for the fourth line of the major scale in G major (one sharp). Fingerings are indicated by numbers 1-4 on the notes.

Musical staff showing the fifth line of the major scale in G major (one sharp).

Fingering diagram for the fifth line of the major scale in G major (one sharp). Fingerings are indicated by numbers 1-4 on the notes.

Musical staff showing the sixth line of the major scale in G major (one sharp).

Fingering diagram for the sixth line of the major scale in G major (one sharp). Fingerings are indicated by numbers 1-4 on the notes.